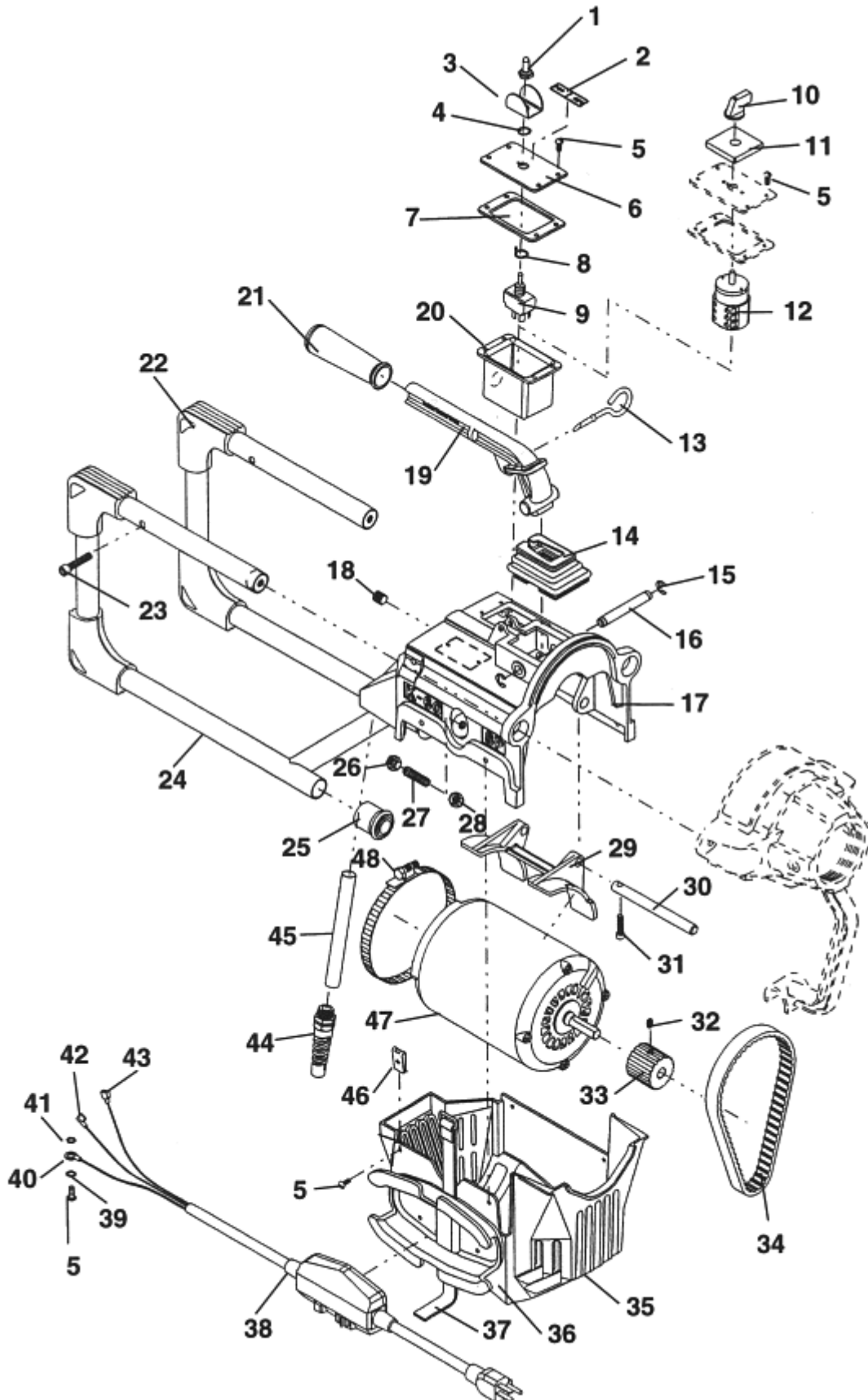


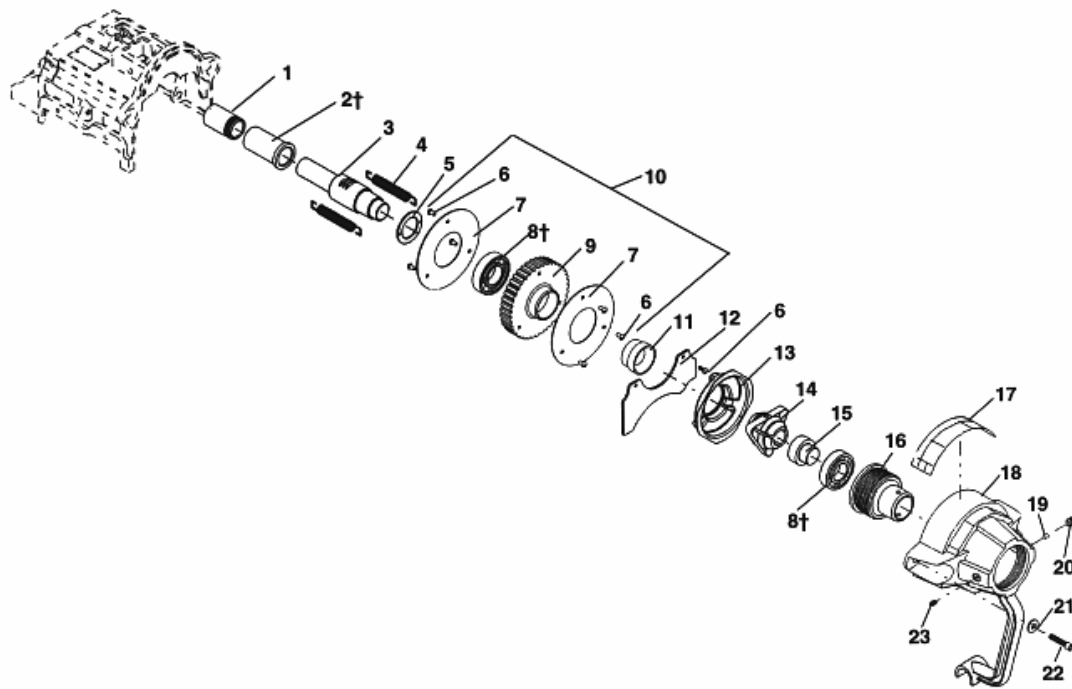
K-60SP - Componentes Principais



NOTA: USE SEMPRE OTÁLO NÚMERO DE AO AO FAZER SEUS PEDIDOS.

Núm. Ref.	Número Catálogo	Descrição	Núm. Ref.	Número Catálogo	Descrição
1	23507	Rubber Boot	28	65787	Nylon Acorn Nut
2	23687	For/Off/Rev Decal	29	65792	Motor Mounting Bracket
3	61490	Switch Guard	30	64797	Motor Mounting Pin
4	23512	Rubber Washer	31	59935	1/4 - 20 x 1 Socket Screw
5	93585	10 - 24 x 1/2 Screw (9)	32	87580	1/2 - 20 Set Screw
6	65762	Switch Box Cap	33	65807	Motor Pulley
7	66887	Gasket	34	65802	Belt
8	66892	Locking Ring	35	65822	Motor Shroud w/Cord Wrap (Inc. Ref No. 46)
9	56252	Toggle Switch	36	66907	Cord Wrap w/Rivets
10	61397	Switch Knob (Export)	37	48007	Cinching Strap
11	57517	For/Off/Rev Switch Plate (Export)	38	50497	Replacement GFI Cord
12	54157	Switch (Export)	—	65842	Replacement GFI Cord (Europe)
13	59225	Pin Key	—	66882	Line Cord (Export)
14	65852	Rubber Boot	—	66757	Accessory GFCI (Europe)
15	65742	Retaining Rings (2)	39	61310	Star Washer
16	65737	Pinion Shaft	40	59955	Ring Terminal
14	65732	Main Housing Assy.	41	87970	#10 - 24 Nut
18	65867	Plastic Socket Set Screw	42	59007	Terminal
19	65747	Handle Assy. w/Grip	43	59002	Splicer
20	65757	Switch Box	44	65817	Strain Relief w/Nut
21	60827	Handle Grip	45	59342	Insulator Tube
22	65772	Frame Bumpers (4)	46	65857	Clips (4)
23	79685	5/16 - 18 x 1.1/2" Socket Screw (4)	47	65832	Motor - 110V / 60HZ
24	65767	Frame Assy. w/Bumpers	—	65837	Motor - 230V / 50HZ (Europe)
25	37962	Rubber Foot (2)	48	65812	Bracket Strap (2)
26	83545	3/8 - 16 Hex Jam Nut			
27	65782	1/8" Stud			

Componentes do Comando



NOTA: USE SEMPRE O NÚMERO DE CATÁLOGO AO FAZER SEUS PEDIDOS.

Núm. Ref.	Núm. Cat.	Descrição	Núm. Ref.	Núm. Cat.	Descrição
1	65727	Steel Insert	13	65692	Jawset Cover
2	65722	Sleeve Bearing	14	65687	Clutch Jaw
3	65712	Shaft w/Rack	15	65682	Idler Cone
4	65717	Extension Spring (2)	16	65672	Adjustment Cap
5	65707	Spring Plate	17	65667	Warning Label
6	61110	10 - 32 x 3/8 Screw (8)	—	65862	Warning Label (Export)
7	66877	Pulley Flange (2)	18	65652	Jaw Housing Assy. (inc. Ref #'s 19, 20, 23)
8	65677	Bearing (2)	19	65662	Nylon Plug
9	66902	Pulley	20	42037	1/2 - 13 x 1/2 Screw
10	65702	Pulley	21	60060	Washers (2)
11	66897	Drive Cone	22	79685	5/16 x 1.1/2 Socket Screw (2)
12	43962	Baffle	23	65657	Grease Fitting